

Features:

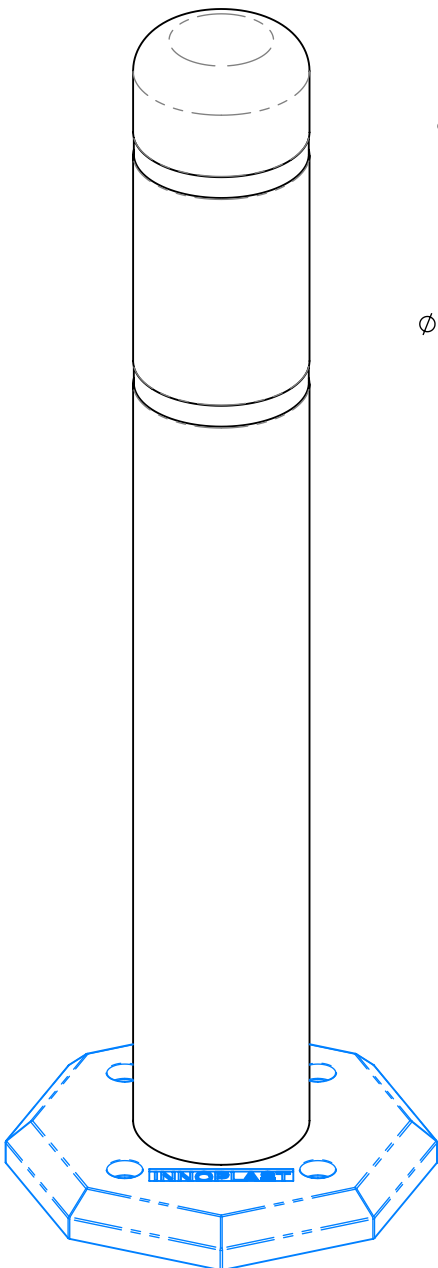
- HDPE Bollardgard 4" or 7" post cover and 25 lb. EPDM rubber base.
- 50% recycled rubber base.
- 1-year warranty against manufacturing defects.
- Stainless screws included to attach bollard to base.

Standard Colors:

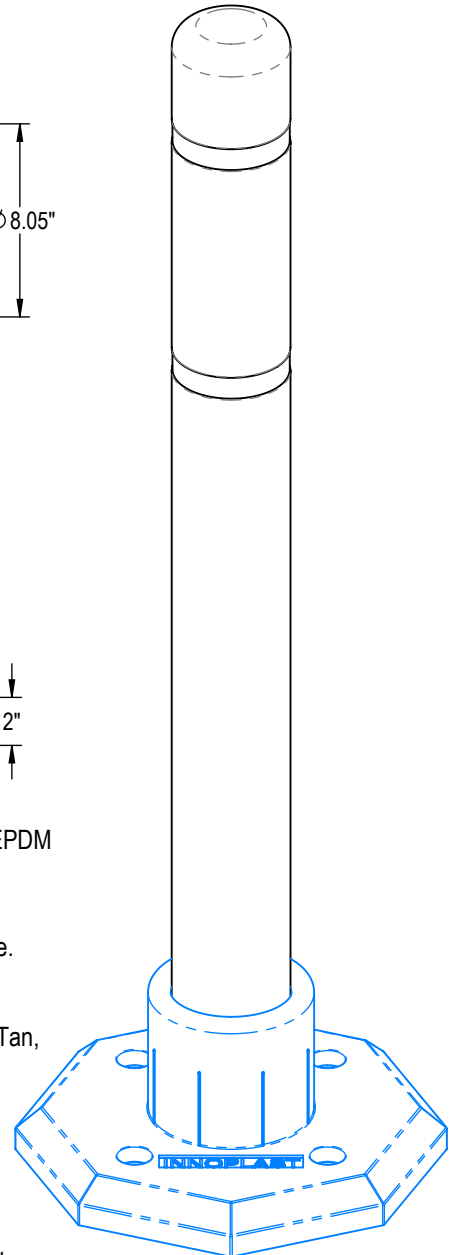
- Yellow, Red, White, Blue, Black, Orange, Brown, Tan, Gray, Light Gray, Green, Safety Green
- 3M Reflective Tape - Red, White, Blue, Orange, Green, Black (reflects white).
- Custom colors and color-matching available

Installation Options:

- (4) stainless steel screws for optional attachment.
- Lag bolts (concretet application) or spikes (asphalt application) sold separately .



BGAW752



BGAW452