

SPEED BUMPS

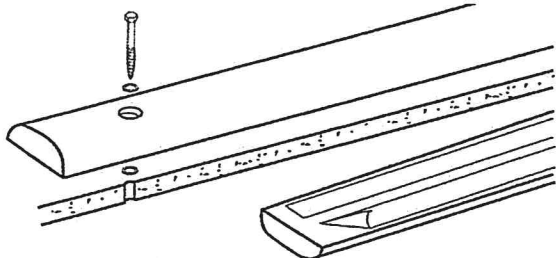
INSTALLATION INSTRUCTIONS

LAG BOLT METHOD

Recommended for use on asphalt or concrete surfaces where drilling holes is permitted.

Required:

- Plastic speed bump
- One ½" x 5" lag bolt for each hole in the speed bump
- Two ½" washers for each lag bolt
- One ½" lag shield anchor for each lag bolt
- Two 2" strips of butyl adhesive tape
- Utility knife (to cut butyl adhesive tape)
- High-speed hammer drill with ¾" masonry bit
- Hammer
- Impact wrench or heavy ratchet with ¾" socket



Position speed bump in its installation position. Using its pre-drilled holes as a template, mark the location of each hole on the roadway's surface.

Remove the speed bump. Using a high-speed hammer drill with a ¾" masonry bit, drill a hole at each marked location to a depth of 3 ½" below the roadway's surface.

Place speed bump bottom side up on a firm surface. Apply a strip of the butyl tape on each side of the holes. (See photo) Smooth and adhere the tape to the bottom of the speed bump by hand or with a roller. Remove the protective paper.

Insert a lag shield anchor into each hole (larger anchor opening on top). Tap the anchor into each hole with a hammer so that the anchors are set flush with the surface. Place a washer over each anchor hole.

Make sure the roadway surface is thoroughly clean and dry before repositioning the speed bump in its installation position. Make sure to apply firm hand pressure. Next, slip a washer onto a lag bolt, insert the bolt through a pre-drilled hole in the parking block about three quarters of the way with a ¾" socket. Repeat for each hole in the speed bump. Finish tightening each bolt until just snug.



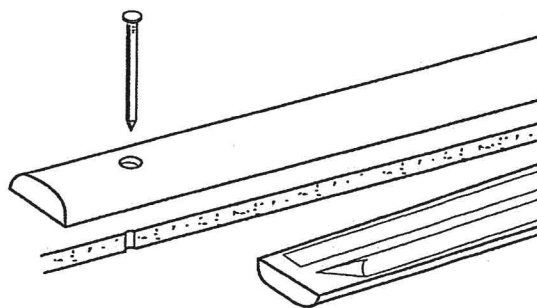
CAUTION! DO NOT OVER TIGHTEN! Excessive tightening may damage the speed bump and void the product warranty.

STEEL SPIKE METHOD

Recommended for use on asphalt surfaces only.

Required:

- Plastic speed bump
- One ½" x 12" plated steel spike for each hole in the speed bump
- Two 2" strips of butyl adhesive tape
- Utility knife (to cut butyl adhesive tape)
- High-speed hammer drill with 3/8" masonry bit
- Sledge hammer for driving spikes



Position speed bump in its installation position. Using its pre-drilled holes as a template, mark the location of each hole on the roadway's surface.

Remove the speed bump. Using a high-speed hammer drill with a 3/8" masonry bit, drill a hole at each marked location through the asphalt. This helps avoid fracturing the asphalt with the spike.

Place speed bump bottom side up on a firm surface. Apply a strip of the butyl tape on each side of the holes. (See photo) Smooth and adhere the tape to the bottom of the speed bump by hand or with a roller. Remove the protective paper.

Make sure the roadway surface is thoroughly clean and dry before repositioning the speed bump in its installation position. Make sure to apply firm hand pressure. Next, drive the spike through the pre-drilled hole of the speed bump until the spike is snug against the counter-bored surface of the speed bump's pre-drilled hole.



CAUTION! DO NOT DRIVE BEYOND SNUG! If driven too far, the spike may damage the speed bump and void the warranty.