



INNOPLAST™
Innovative Polymer Products

Removable Stainless Steel Bollards



Series No.SSRB-4"/5" RE0/RE4

Innoplast, Inc. ** 10120 Gottschalk Parkway ** Chagrin Falls, OH 44023
800-516-9287 ** fax 440-543-8661

TECHNICAL MANUAL

Contents

1. SAFETY INSTRUCTIONS	3
2. DESCRIPTION.....	3
2.1. Description of the series and definitions	3
2.2. Location of the components	4
3. INSTALLATION	5
4. Use	5
4.1. Procedure to remove the bollard	5
4.2. Procedure to fixed the bollard.....	6

1. SAFETY INSTRUCTIONS

ATTENTION! To ensure your safety, it is important that you read all of the instructions. Incorrect installation or incorrect use of the product could cause you serious harm.

2. DESCRIPTION

2.1. Description of the series and definitions

The removable bollard has been designed to control access to a site with a low level of security, low duty cycle requirement, granting pedestrian access but blocking the area to road traffic. The removable bollard includes post and the underground parts:



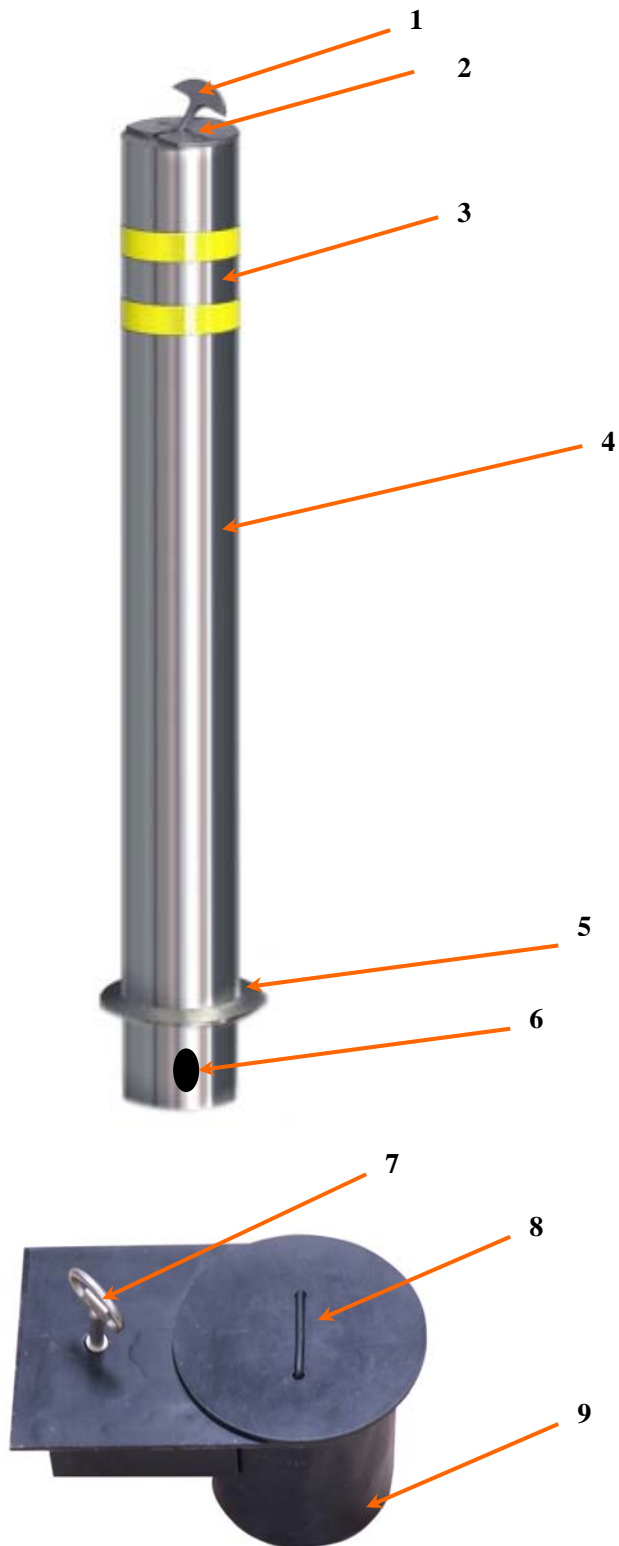
Post



Underground Parts

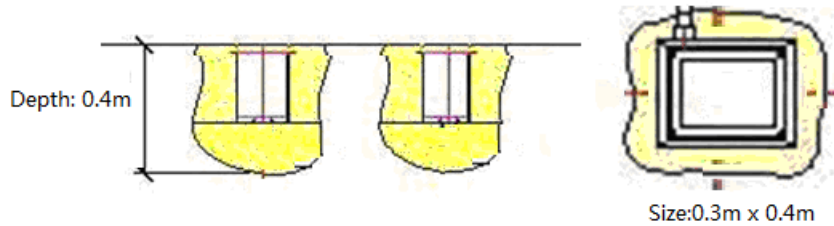
2.2. Location of the components

1. T handle
2. Anti-theft screw
3. Reflector tape
4. Cylinder
5. Flange
6. Lock hole
7. Keys
8. Cover
9. Underground parts



3. INSTALLATION

1. Make sure that the place where the bollard is to be installed is not low-lying; or you will need to install a drainage channel equipped with covering grid to protect the bollard.
2. Dig a hole up to about size 0.3mx0.4m (approximately 12" x 16") and depth of about 0.4m (16") (As our experience, we dig a long deep channel if there is a lot of bollard in one line.)

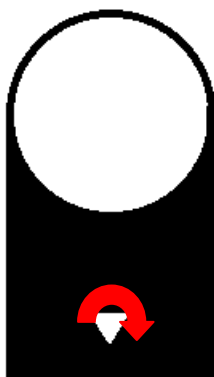


3. Put a layer of gravel (Diameter of approximately .10m (4")) if you are installing outdoors.
4. Put underground parts inside of the hole, taking care to position it vertical. Insert the post part to make sure all the bollards are on the same line and level.

4. Use

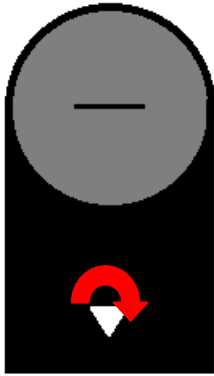
4.1. Procedure to remove the bollard

1. Insert the key and rotate it 90°
2. Keep rotating the key and remove the post
3. Align the lock hole of cover and lock tongue; then insert cover and release the key.

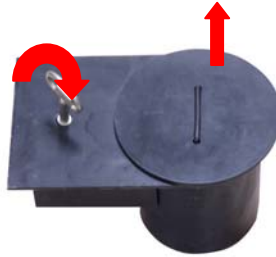


4.2. Procedure to fixed the bollard

1. Insert the key and rotate it 90°



2. Keep rotating the key
And remove the cover



3. Align the lock hole of post and lock tongue then input the post and release the key.

